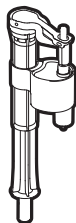
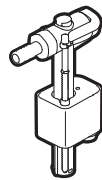


A



B



A



B



C



A

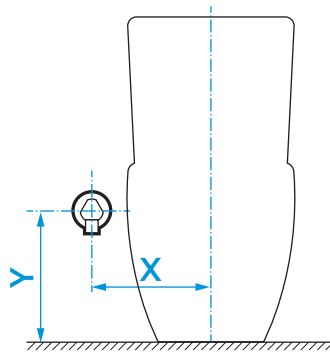
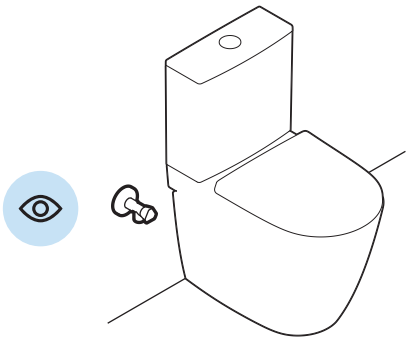


B

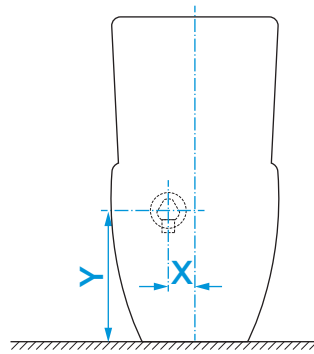
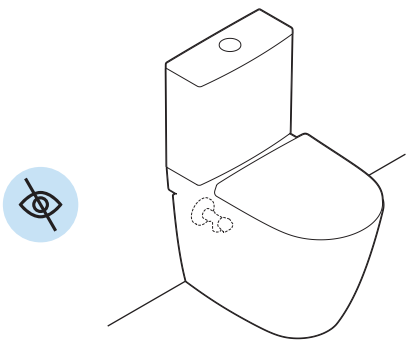




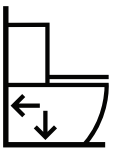
(mm)



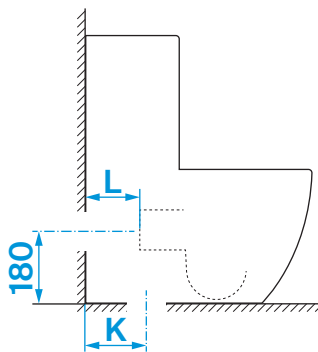
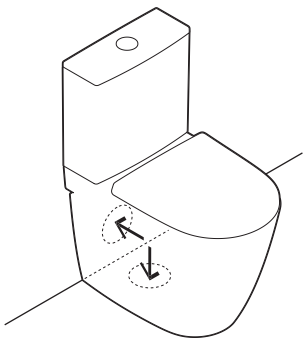
	X	Y	
	170	220	
	170	220	
	200	185	
	280	590	



	X	Y
	60	250



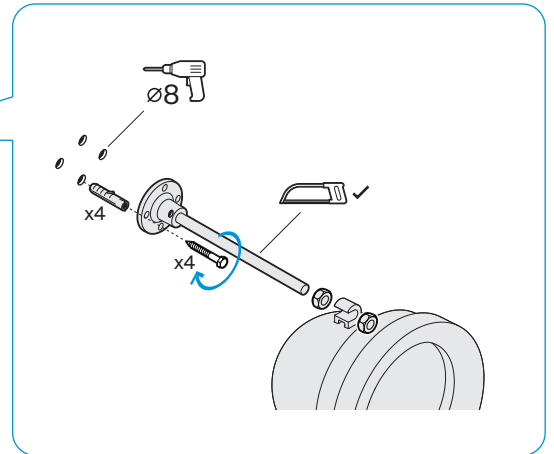
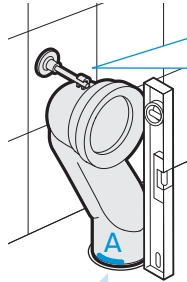
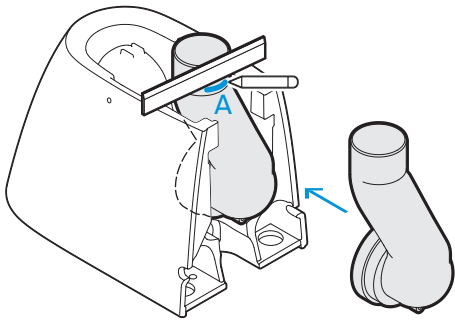
(mm)



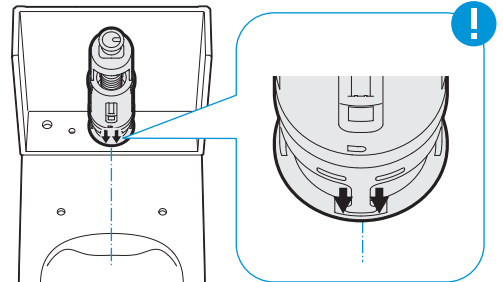
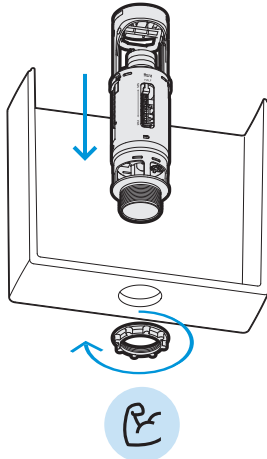
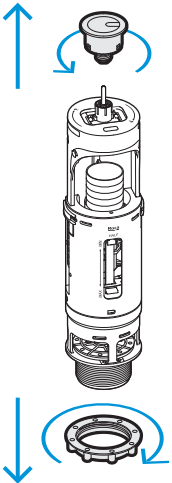
	AV0007900R	AV0007700R	AV0007800R	AV0007800R L = 60 max. AV0009300R L = 140 max.
L = 95 → K =	-	90	150	
L = 125 → K =	70	120	170	
L = 165 → K =	120	150	210	
L = 225 → K =	170	210	270	



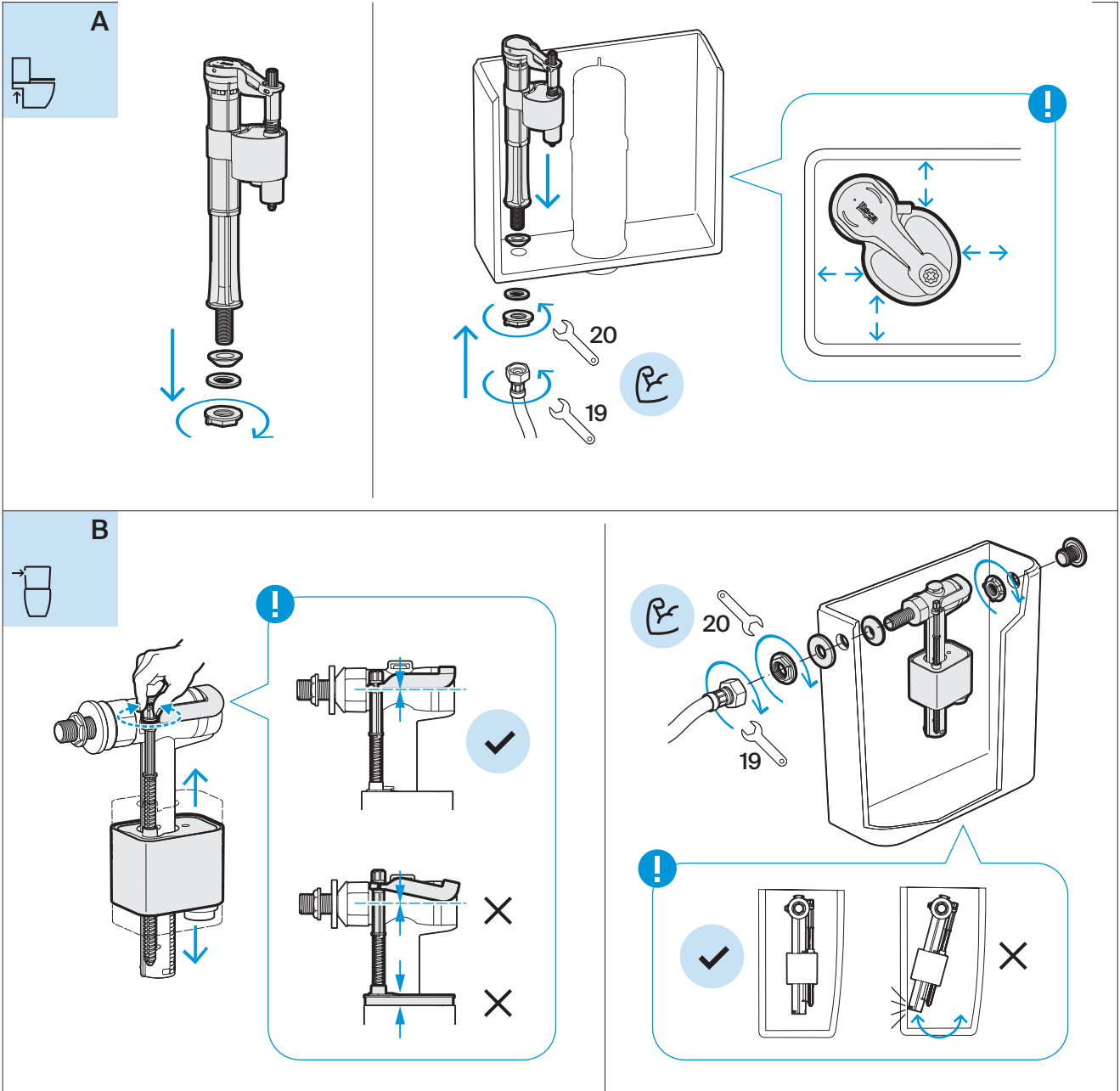
1



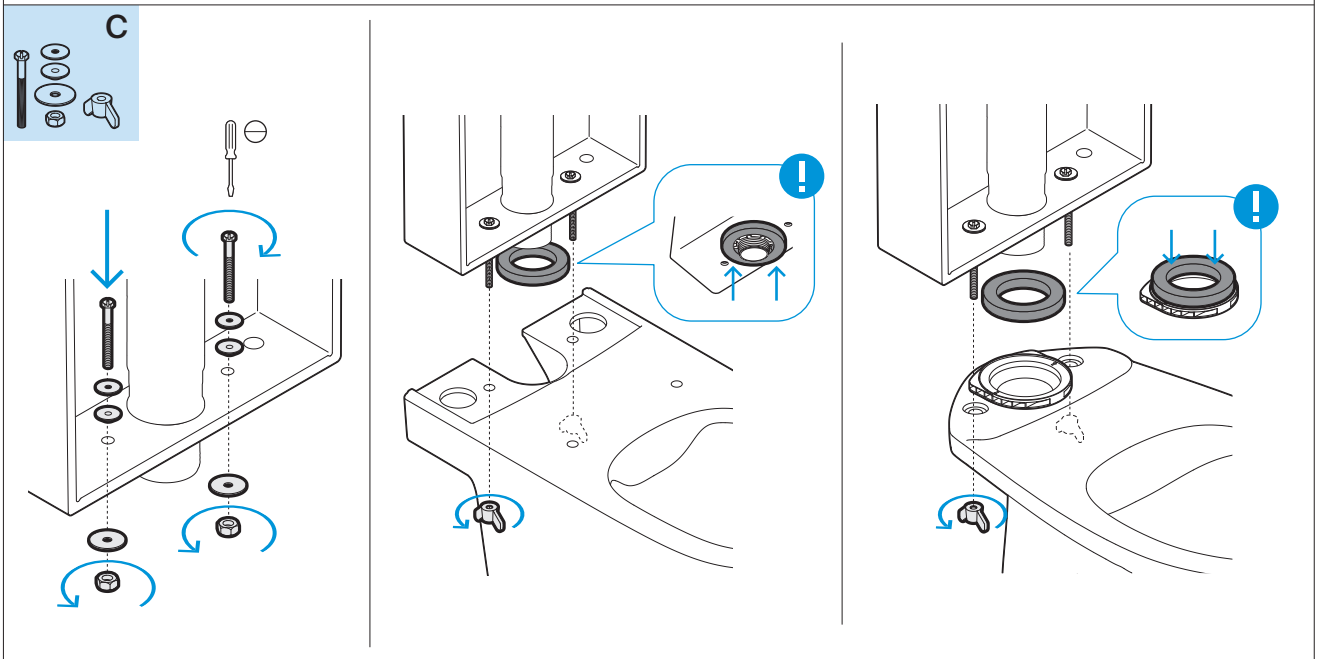
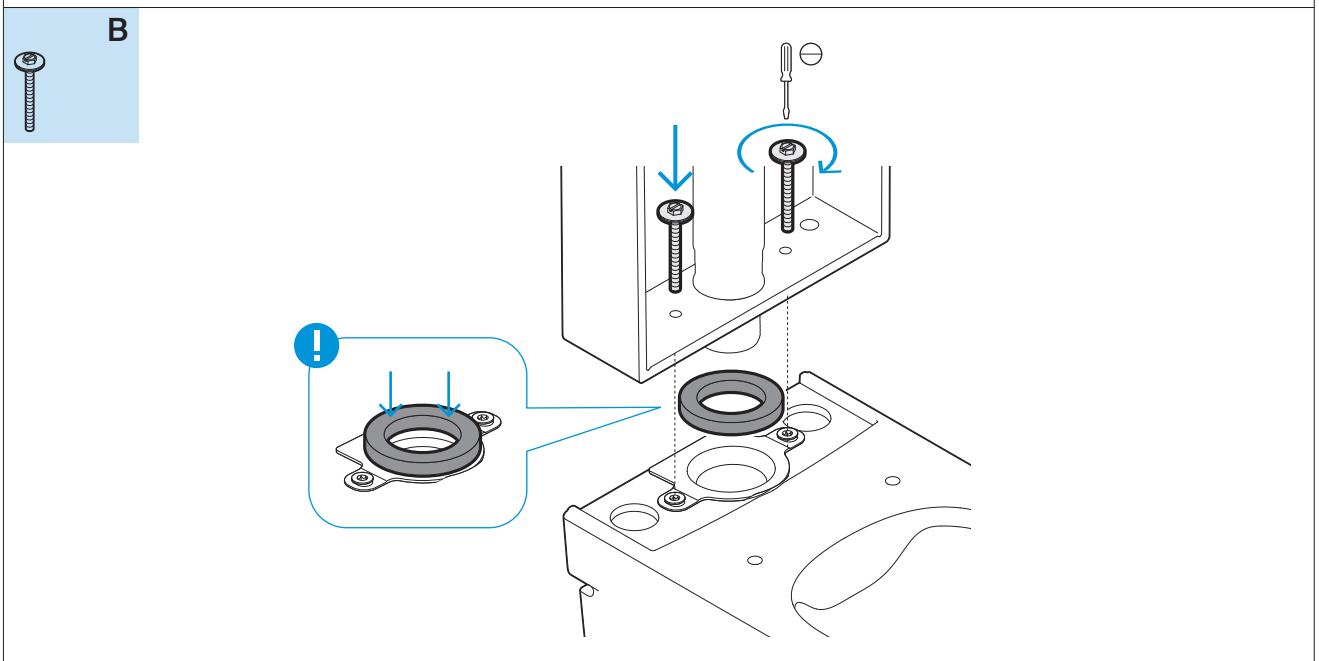
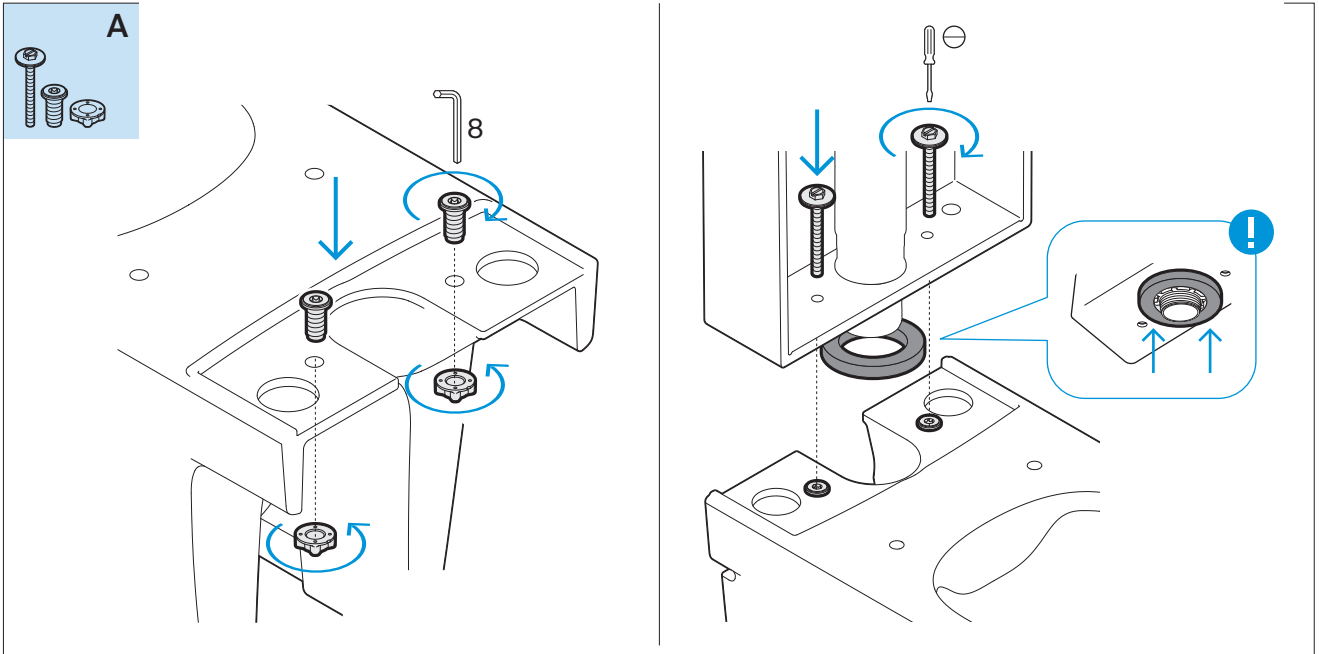
2



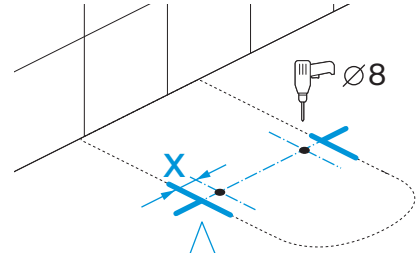
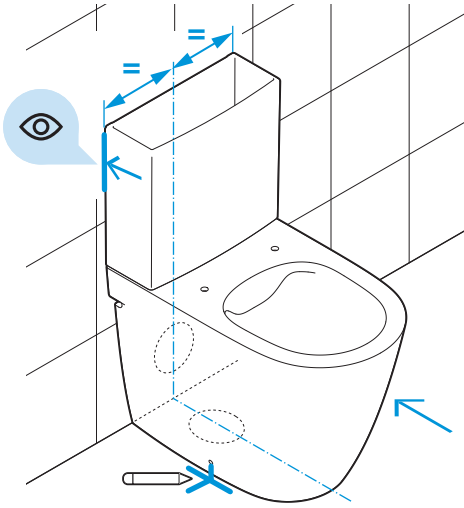
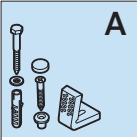
3



4

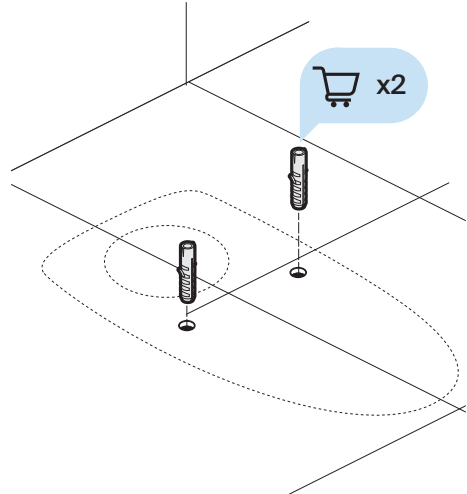
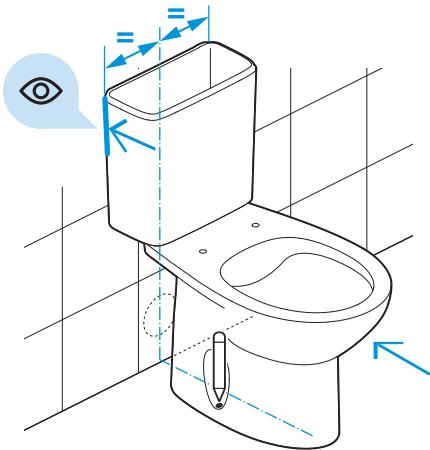
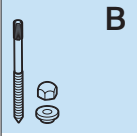


5

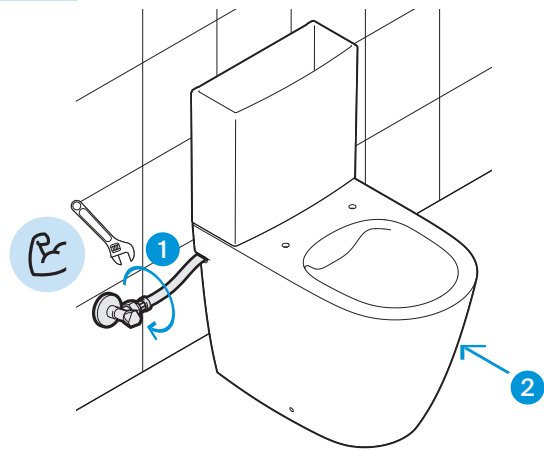
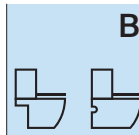
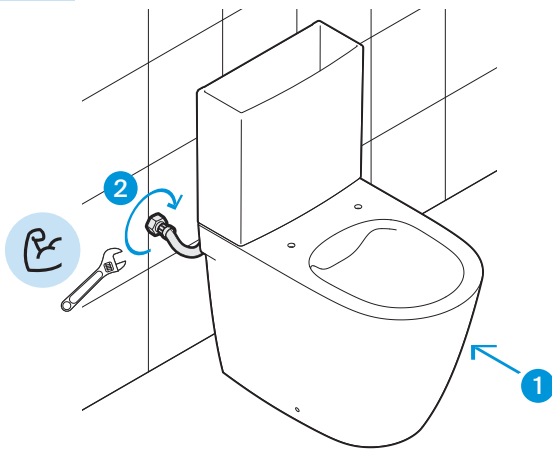
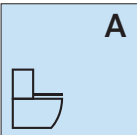


(mm)

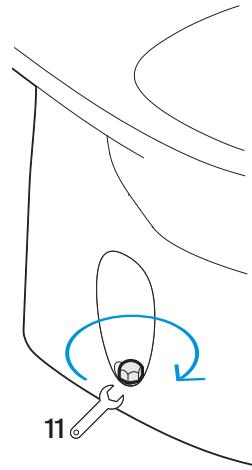
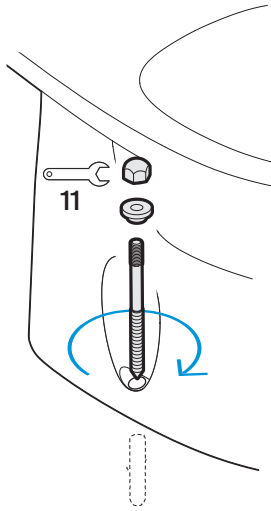
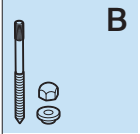
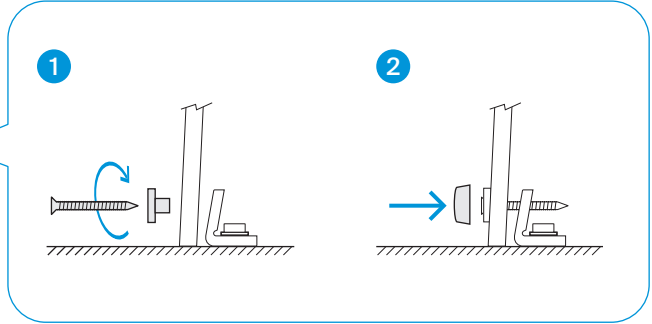
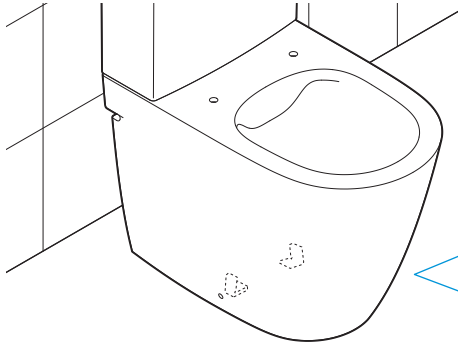
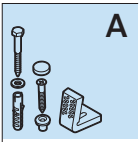
$Y \approx 10 \rightarrow X = 45$
 $Y \geq 14 \rightarrow X = 60$



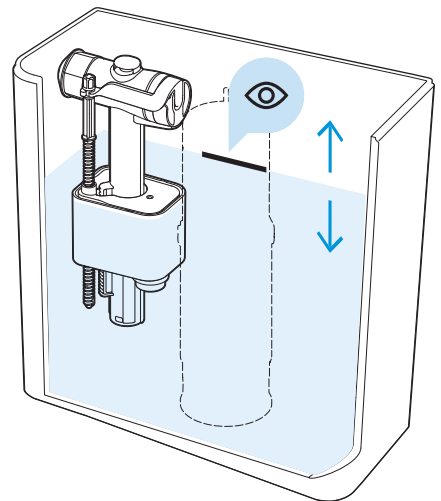
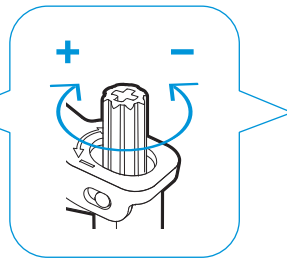
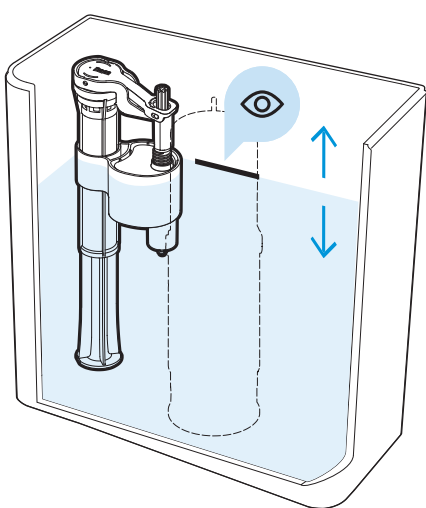
6



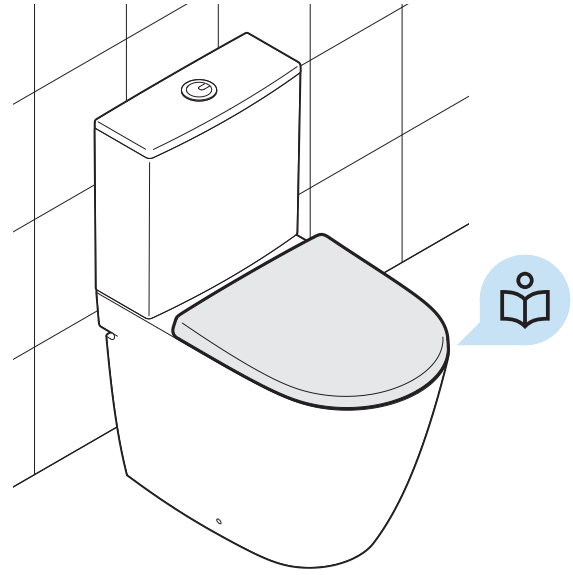
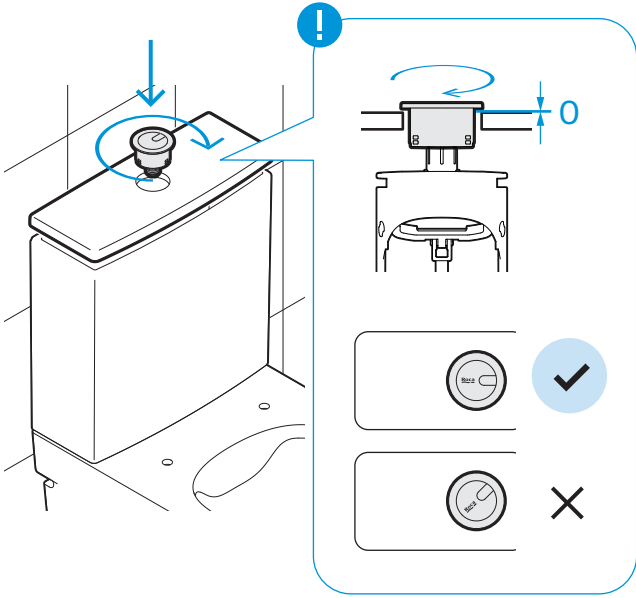
7

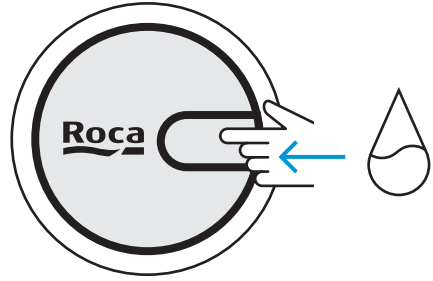
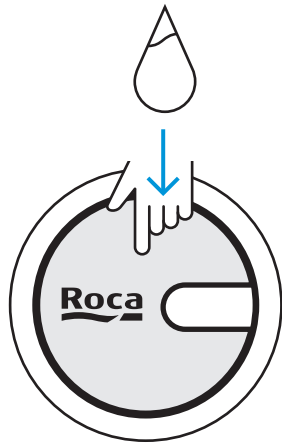
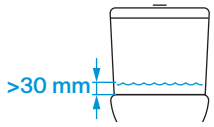


8

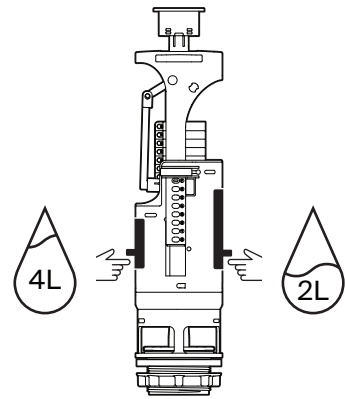
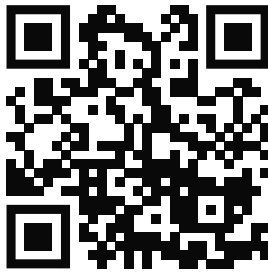


9



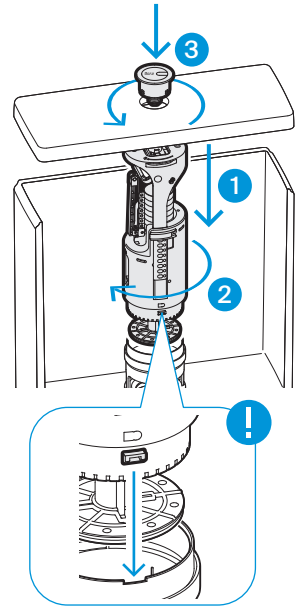
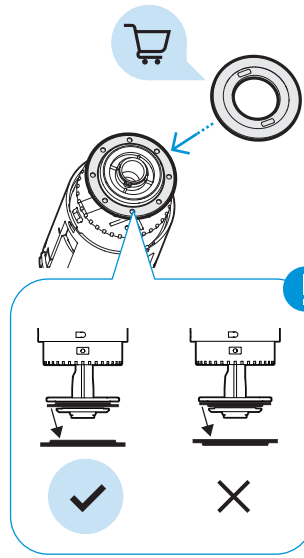
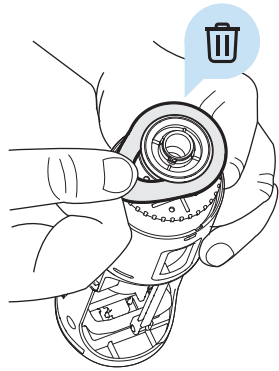
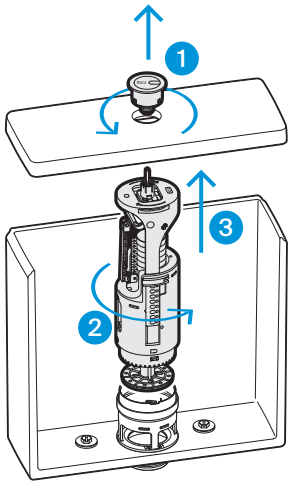


ECO

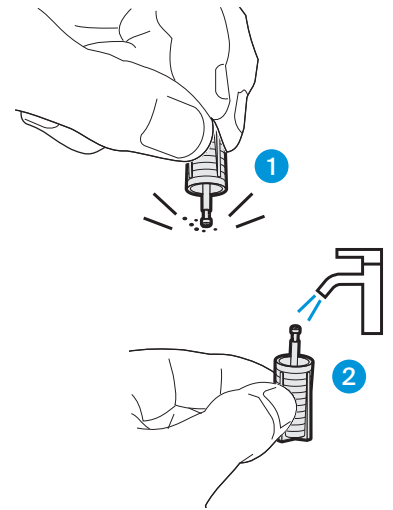
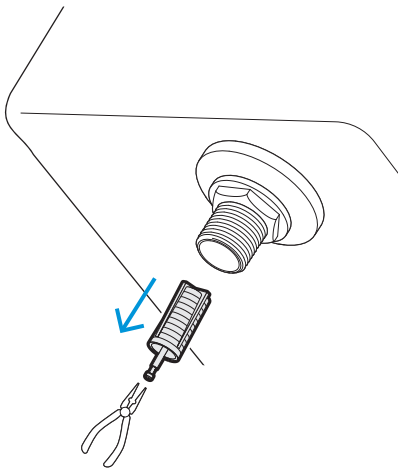
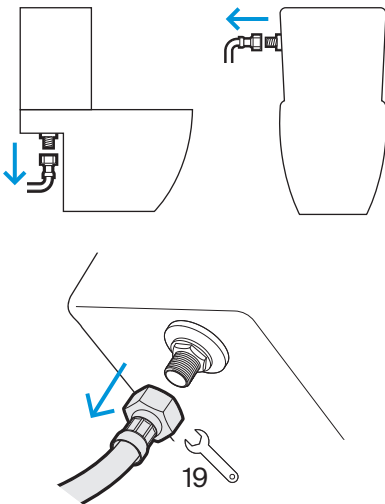




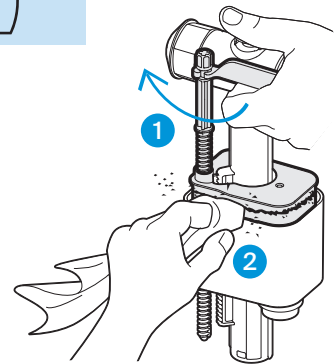
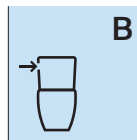
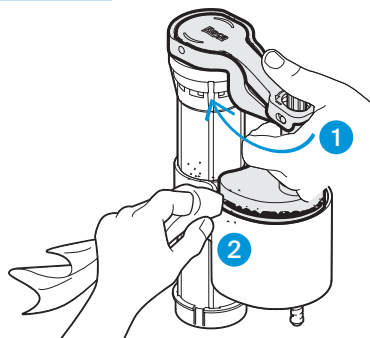
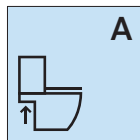
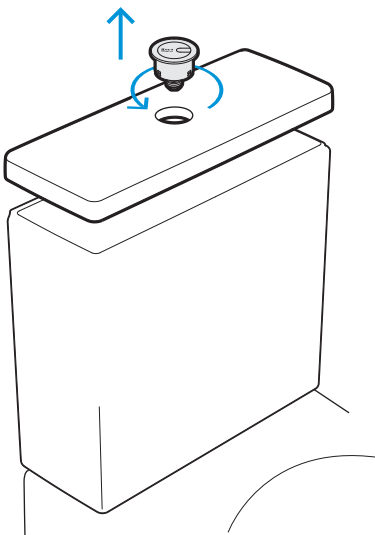
1



2



3



6 m

